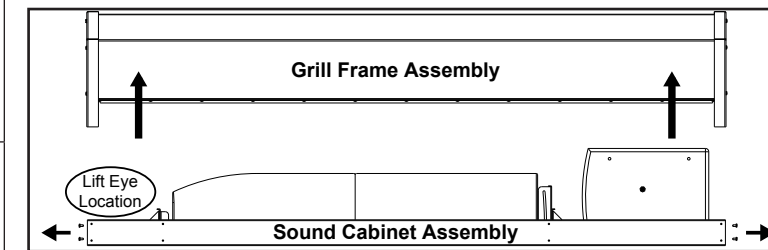
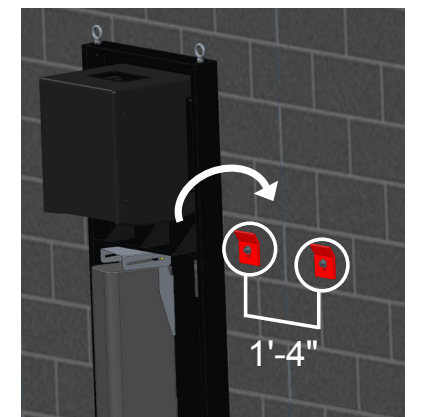
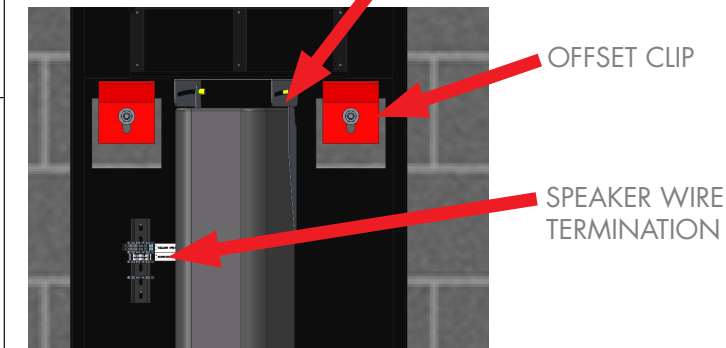
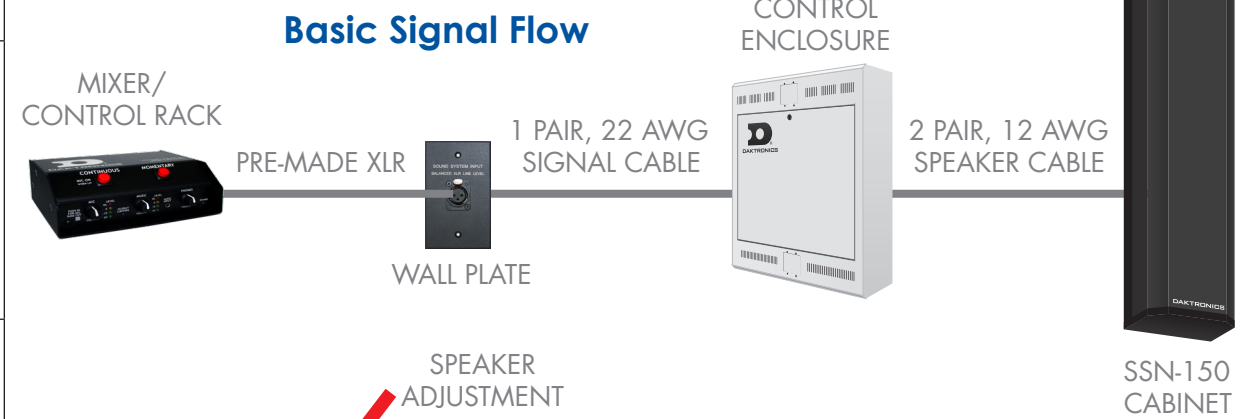
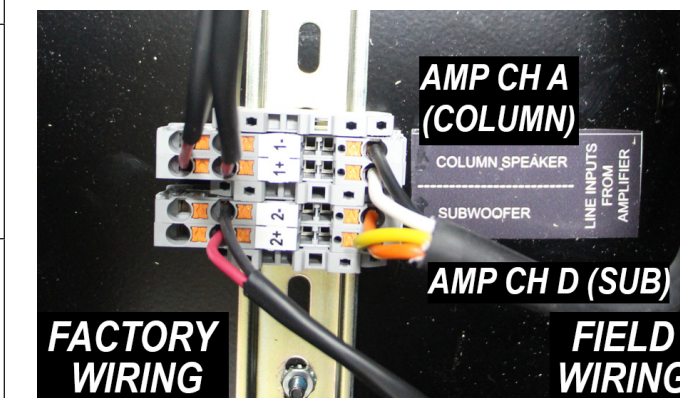


Task (Major Step)	Process / Key Points / Reason Why (if applicable)	Tools Required / Reference Materials
THESE ARE FIELD SERVICE INSTALLATION INSTRUCTIONS. REFER TO SUBCONTRACTOR SCOPE OF WORK FOR THEIR RESPONSIBILITIES.		
1. Receive Equipment <input type="checkbox"/> Unload equipment from truck <input type="checkbox"/> Store control equipment in secure location	a. Equipment for audio system is generally crated together. Items: Speaker Cabinet, Wall Mount Amp Rack, Signal Input Plate, Audio Control System, and Cables. b. Store all control equipment in a secure location to prevent damage or theft.	<ul style="list-style-type: none"> Video: Sportsound 150 Indoor Sound System Installation Sportsound Indoor SSN-150 Audio System Installation Manual (DD2686308) [located inside speaker cabinet] This manual includes all drawings referenced below.
2. Inspect Finish and Mesh <input type="checkbox"/> Inspect sound cabinet for dirt/damage <input type="checkbox"/> Inspect mesh for dirt/damage <input type="checkbox"/> Clean/repair/report dirt/damage to PM	a. Visually inspect the exterior finish of the cabinet for deep scratches, dents, chips, etc. b. Visually inspect the mesh for dirt, scratches, or wear. If mesh is dirty, use a mild soap and nonabrasive cloth to clean it. DO NOT use a pressure washer! c. Contact PM/PC about any damaged goods.	<ul style="list-style-type: none"> mild soap nonabrasive cloth
3. Install Cabinet <input type="checkbox"/> Attach mounting clips to wall <input type="checkbox"/> Remove speaker grille frame <input type="checkbox"/> Attach provided lift eyes to top of cabinet <input type="checkbox"/> Hang cabinet on clips and secure	a. Attach mounting clips to the wall 16" apart using recommended anchors listed in Appendix C of the installation manual. b. Remove the grille frame by removing the 4 screws on the top and the bottom of the cabinet. c. Attach provided lift eyes into the top-rear of the cabinet to lift it up to the mounting clips. d. Hang the cabinet on the mounting clips and secure it in place on the wall with 1/2" hardware through the holes in the bottom of the cabinet.	<ul style="list-style-type: none"> Section 3 of Installation Manual DD2670874 (included in Appendix C of installation manual) DWG-1132106 and/or Site-Specific Drawings Tools to install anchors/hardware
4. Aim Speakers <input type="checkbox"/> Aim speakers to fit venue	Speakers may need to be aimed properly to fit venue. Aim speakers by following aiming procedure on DWG-1132106 .	<ul style="list-style-type: none"> Section 3 of Installation Manual DWG-1132106 7/16" socket
5. Mount Control Enclosure (Amp Rack) <input type="checkbox"/> Determine location for control enclosure <input type="checkbox"/> Mount control enclosure to the wall	a. The control enclosure (AKA "amp rack") should be installed in a location near the speaker cabinet easily accessible from the ground. This can be in a closet or on the wall in the same room as the speaker cabinet. If possible, use the knockout on the back of the enclosure to mount it over a power junction box. b. Use 1/4" hardware to mount the enclosure on the wall.	<ul style="list-style-type: none"> Section 3 of Installation Manual DD2670874 (included in Appendix C of installation manual) DWG-1152507 Phillips screwdriver Tools to install anchors/hardware
6. Terminate Speaker Cable in Cabinet <input type="checkbox"/> Route speaker wire from cabinet to amp rack <input type="checkbox"/> Terminate wire to terminals in speaker cabinet <input type="checkbox"/> Label all wires	a. Route speaker wire from speaker cabinet to amp rack. b. Terminate speaker wires to speaker cabinet terminal blocks as shown in image 6. c. Label wires to identify sub and column.	<ul style="list-style-type: none"> Section 4 of Installation Manual DWG-980598 wire stripper, cutter small flat screwdriver
7. Test Resistance and Terminate <input type="checkbox"/> Test resistance of speakers <input type="checkbox"/> Record resistance values: Main: _____ Sub: _____ <input type="checkbox"/> Terminate speaker wires to amp	a. Test resistance of speakers between white/black and between yellow/orange at amp enclosure to ensure wiring is correct. Both the main speaker and subwoofer should have a reading close to 5.5 ohms. b. Terminate speaker wires to amplifier connector as shown in image 7.	<ul style="list-style-type: none"> Section 4 of Installation Manual DWG-3480030 multimeter small flat screwdriver

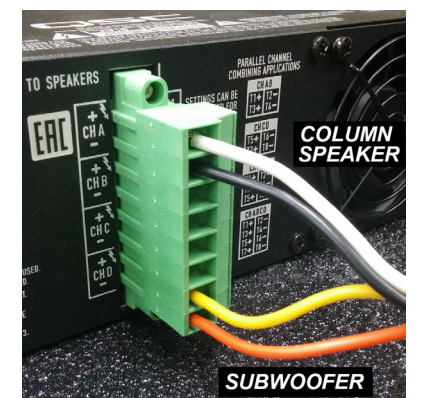
Products Involved:
0A-1756-0001



3b. Grille Frame Removal

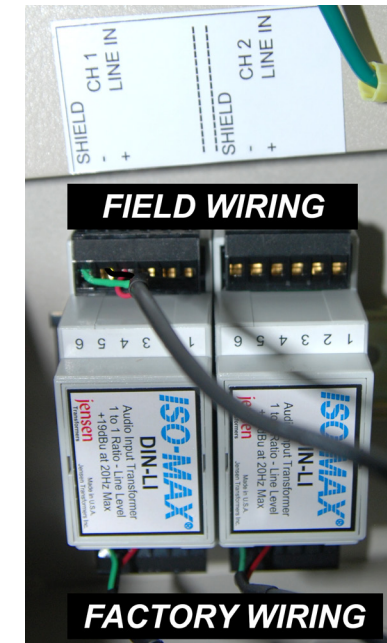


6. Speaker Cabinet Connections

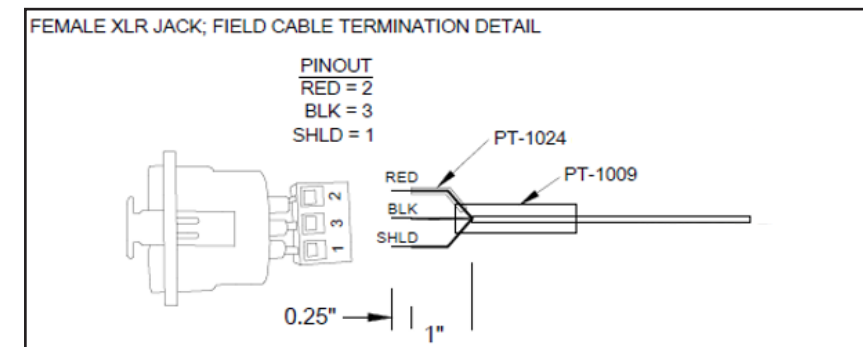


7. Amp Connections

Task (Major Step)	Process / Key Points / Reason Why (if applicable)	Tools Required / Reference Materials
8. Re-Install Grille Frame <input type="checkbox"/> Re-install grille frame on cabinet <input type="checkbox"/> Remove lift eyes	a. Re-install speaker grille frame on the speaker cabinet with supplied hardware. Ensure all hardware is used. b. Remove and dispose of lift eyes.	<ul style="list-style-type: none"> Section 3 of Installation Manual DWG-1132106 Phillips screwdriver
9. Terminate Input Signal Cable <input type="checkbox"/> Terminate signal cable to terminal block inside amp enclosure <input type="checkbox"/> Terminate signal cable to input plate	a. Terminate signal cable to terminal block inside amp enclosure as shown in image 9a. b. Terminate signal cable to terminals on input plate at audio control location as shown in image 9b.	<ul style="list-style-type: none"> Section 4 of Installation Manual DWG-1144831, DWG-3480030 wire stripper, cutter small flat screwdriver
10. Ensure Proper Program Loaded in Amp <input type="checkbox"/> Ensure proper program is loaded in amp <input type="checkbox"/> Record preset used: Preset: _____	Turn the amplifier on and ensure the program on the display indicates the correct system: SSN-150 . If not, refer to manual to configure. SSN-150 is the default preset. If the customer prefers less bass, SSN-150 Low Sub or SSN-150 Lowest Sub may be used instead. Record the chosen preset if different from default. If these are not available options, contact the Help Desk.	<ul style="list-style-type: none"> Section 4 of Installation Manual
11. Connect Audio Control System <input type="checkbox"/> Connect audio control system	Connect the audio control system to the input plate. Refer to the respective manual and support documents and videos for a guide on proper setup and operation of supplied audio control system.	<ul style="list-style-type: none"> SSR-100 Support Site SSR-200 Support Site
12. Play Test Tones <input type="checkbox"/> Play test tones and record if heard or not 100 Hz: _____ 1 kHz: _____ 4 kHz: _____	Play various test tones – downloadable on the FTP site – to ensure you hear Lows (100Hz), Mids (1 kHz), and Highs (4 kHz). Use the supplied LTIBLOX device and smartphone/laptop. Ensure your device is turned up to full output.	<ul style="list-style-type: none"> Test tone files LTIBLOX (A-2755) laptop
13. Play Music Tracks <input type="checkbox"/> Play music tracks to system and record levels and measurement system used: Avg SPL reading through venue: _____ Measurement Device: _____ Measurement App: _____	a. Play various music tracks on a smartphone/laptop with use of the supplied LTIBLOX device. Ensure levels throughout venue are consistent. Should be capable of achieving at least 85dB throughout seats. Measure by downloading an SPL App on your smartphone device. b. Ensure the amplifier is not clipping.	<ul style="list-style-type: none"> LTIBLOX (A-2755) laptop SPL meter or smartphone with SPL Meter App (SPL accuracy may vary depending on app or phone type)
14. Before Leaving Site Train Customers On: <input type="checkbox"/> Proper Startup and Shutdown Procedures <input type="checkbox"/> Control system operation <input type="checkbox"/> Turn off power to amp rack and unplug source equipment when not in use <input type="checkbox"/> Hand customer manuals, quick start guides, and Daktronics contact information	a. Train customer on proper startup and shutdown procedures. b. Train customer on control system operation and best practices. c. Train customer to turn off power to amp rack and unplug source equipment when not in use to protect equipment from power surges and lightning. d. Hand customer cabinet and source equipment manuals and quick start guides. Verify they know how to contact Daktronics if a problem should arise.	all printed documentation shipped with the audio system
SO/Contract #:	Technician Name:	Date:



9a. Amp Signal Termination



9b. Input Plate Signal Termination



13b. Amp Indicators - stay below CLIP/LIM